



The SURE SLICE mid-range gravity feed machine range

Models SSG300TMS & SSG350TMS

This range of machines are table top, gravity feed mid range meat slicers. These models are ideal for larger catering, and smaller retail independents. The range is of heavy duty construction, with two capacities, and of compact design. Rounded, open design with no sharp edges, and knife remover allows very simple and quick cleaning.

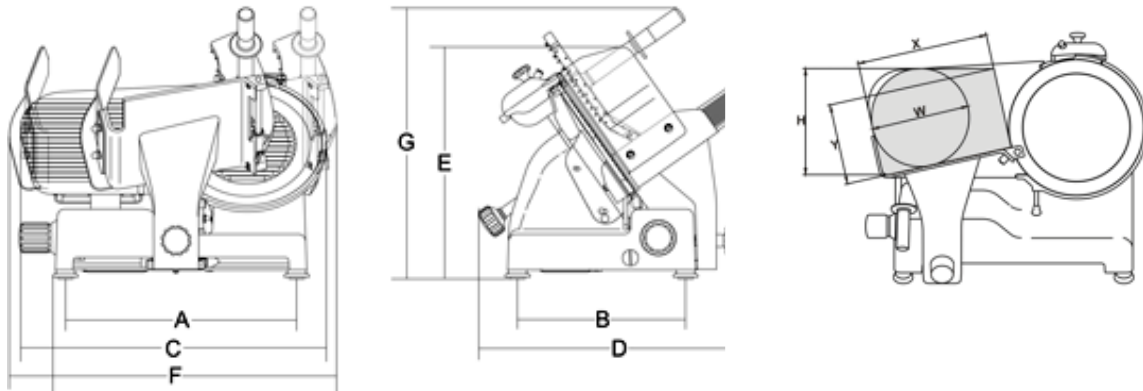
DESCRIPTION	
Model Range	
SSG300TMS SSG350TMS	
SPECIFICATIONS	
Finish	
Cast, anodised aluminium	
Knife material	
Hollow ground hard chromed steel	
Knife sizes	
SSG300TMS = 300mm diameter SSG350TMS = 350mm diameter	
Knife sharpener	
Integral double action sharpening and honing stone assembly	
Product Capacity	Approvals
Refer to specification matrix overleaf.	In accordance with directive 2004/108, 2006/95, 2004/1935 , 2006/42 , RoHs 2011/65/EU
Environment	
The machine should be cleaned at least once a day and the knife sharpened only after cleaning	
High-pressure water and steam cleaning should NOT be used	
Product	
All meat products (cured and cooked), cheese and vegetables (for exceptions see below)	
Product Limitations	
The following products should <u>not</u> be sliced on these machines:	
<ul style="list-style-type: none"> - Frozen products - Non food products - Products with bones 	





The SURE SLICE mid-range gravity feed machine range

DIMENSION CHART



DIMENSIONS

Models	SSG300TMS	SSG350TMS
A (mm)	465	465
B (mm)	340	340
C (mm)	615	660
D (mm)	547	575
E (mm)	465	455
F (MM)	710	710
G (MM)	545	530
L (MM)	625	590
X (MM)	270	270
Y (mm)	190	225
H (mm)	240	275
W (mm)	220	250

SPECIFICATIONS

Models	SSG300TMS	SSG350TMS
Knife diameter (mm)	300	350
Maximum slice thickness (mm)	0 – 23	0 – 23
Slicing capacity (L x H) (mm)	270 x 190	270 x 225
Electrical specification	230V 50Hz 1 phase	230V 50Hz 1 phase
Motor specification (kW / HP)	0.275 / 0.37	0.370 / 0.50
Run of carriage (mm)	310	310
Dimension of meat table (mm)	305 x 270	305 x 270
Net weight (Kg)	35	37
Options:		

SHIPPING SPECIFICATIONS

Models	SSG300TMS	SSG350TMS
Machine packing		
Length (mm)	760	760
Width (mm)	640	640
Height (mm)	700	700
Gross Weight (Kg)	44	46