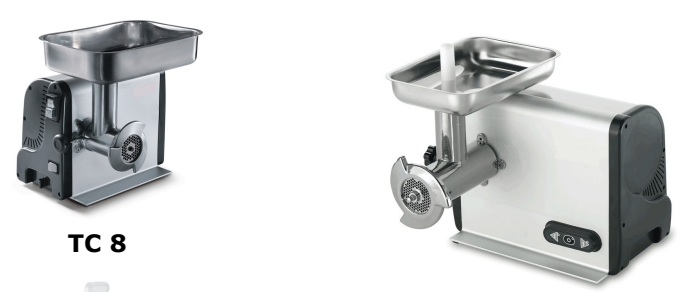






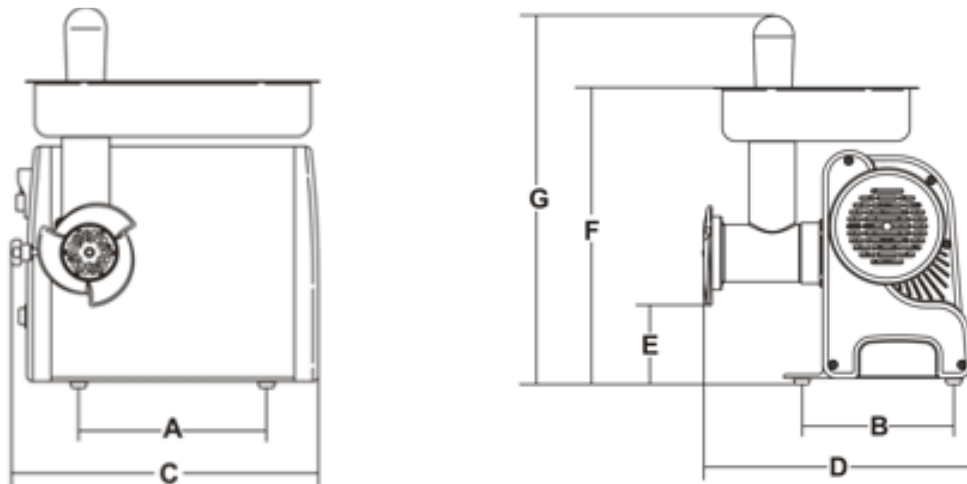
## The SURE RANGE Catering Mincer Range

### SURE RANGE models TC 8, TC 12 and TC 22

This range consists of three models, TC 8, TC 12 and TC22. All three models are of anodised aluminium and ABS construction. The mincing head assemblies and feed pans are all removable for cleaning. The mincing plates and knives supplied are stainless steel, and the plates are available in various hole sizes.

DESCRIPTION	
<b>Model Range</b>	
TC 8 TC 12 TC 22	
SPECIFICATIONS	
<b>Finish</b>	
These machines are constructed from anodised aluminium body with ABS shockproof side panels	
<b>Mincing head drive</b>	
Ground tempered helical gears in oil bath gear box	
<b>Mincing plates and knives</b>	
Stainless steel	
 <p>TC 8</p> <p>TC 12</p> <p>TC 22</p>  <p>Machines Disassembled</p>  <p>Sauce fitment</p>	
Reverse	Approvals
TC 8 - optional TC 12 - standard TC 22 - standard	CE Conformity: <b>2004/108, 2006/95, 2004/1935 , 2006/42, RoHs 2011/65/EU</b>
<b>Environment</b>	
The machine should be cleaned at least once a day. High-pressure water and steam cleaning should NOT be used.	

### DIMENSIONS CHART



### DIMENSIONS & WEIGHT

	TC 8	TC 12	TC 22
A (mm) Foot print (width)	205	275	310
B (mm) Foot print (front to back)	170	190	225
C (mm) width	335	377	395
D (mm) depth (front to back)	300	366	360
E (mm) height (bottom of mincing head)	85	100	115
F (mm) height (top of pan)	360	375	415
G (mm) height (top of stomper)	410	452	485
Net weight (kg)	10	15	26

### SPECIFICATIONS

	TC 8	TC 12	TC 22
Throughput (kg/hour)	70	85	120
Mincing plate hole size (as supplied)	4.5	4.5	4.5
Electrical specification	230V 50Hz 1 phase	230V 50Hz 1 phase	230V 50Hz 1 phase
Total power specification	250W / 0.34HP	550W / 0.75HP	750W / 1 HP

#### OPTIONS:

Tomato sauce making fitment	√	√	√
Various hole size plates	√	√	√
400V 50Hz 3 phase	X	X	√
Stainless steel mincing head	X	X	√

### SHIPPING SPECIFICATIONS

Models	Crate Dimensions			Gross Weight (kg)
	Length (mm)	Width (mm)	Height (mm)	
TC 8	600	400	350	12
TC 12	600	400	350	17
TC 22	570	750	800	36