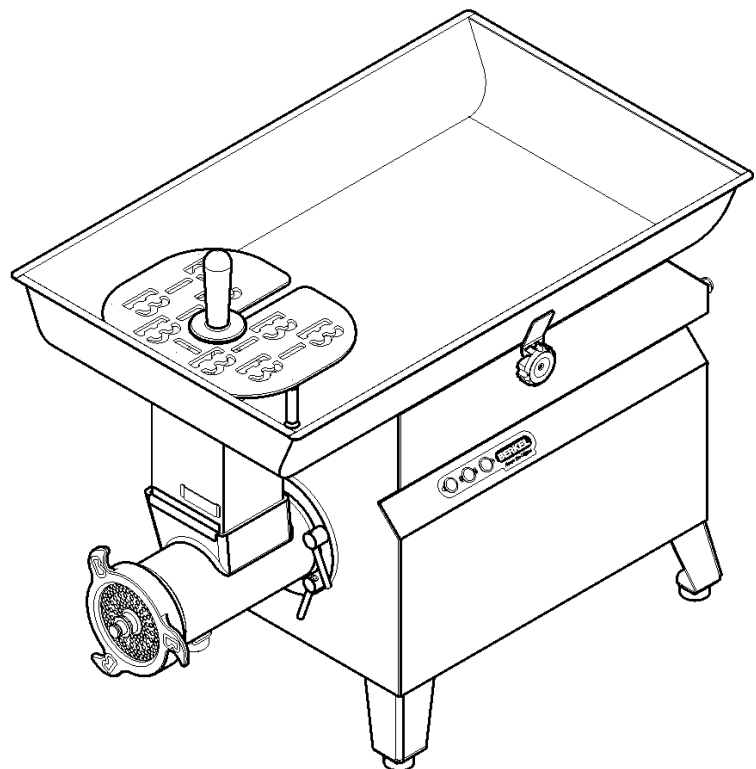
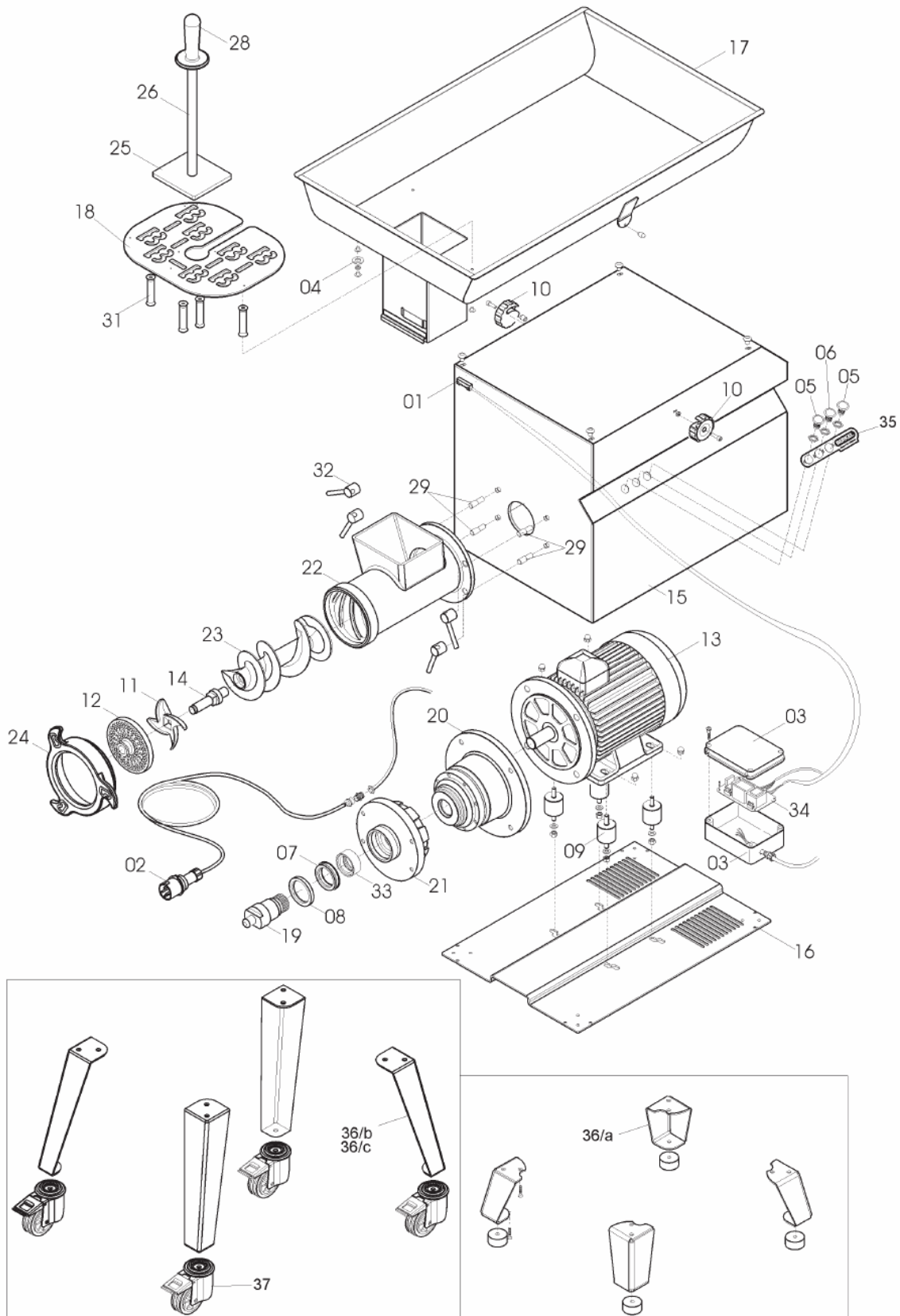


SERVICE MANUAL

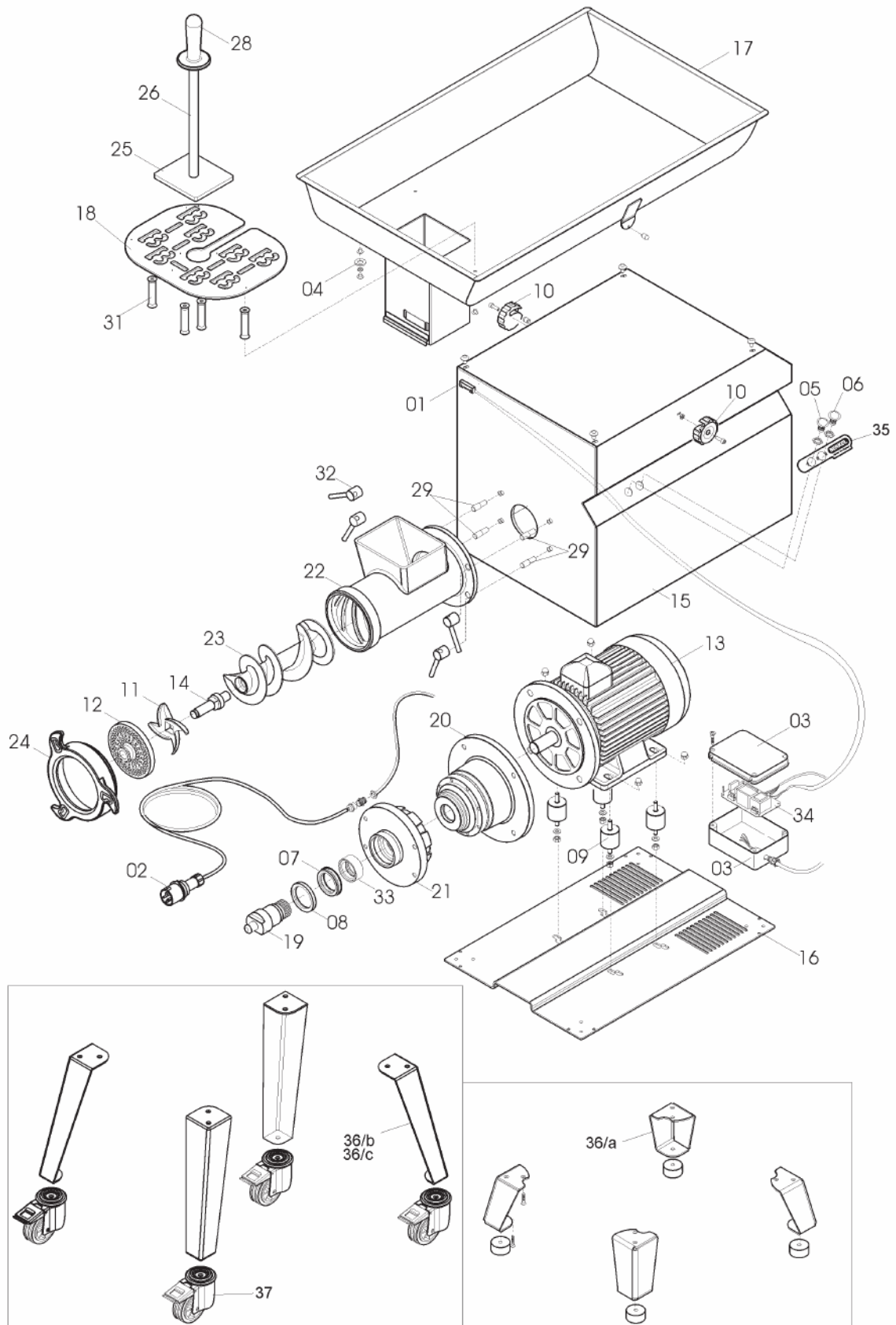
MINCER HIGH END RANGE FLOOR STANDING BM+42F



Exploded view Mincer BM+42F (3,7 kW)



Exploded view Mincer BM+42F (5,1 kW)



Spare Parts Mincer BM+42F (3,7 kW)

PART NUMBER	COD.
1	1010005
2	1010014
3	1010704
34	1033020
35	1035800
4	1039700
5	1041000
6	1041001
7	1134500
33	1134501
8	1234001
9	1434500
28	1510035
10	1510713
11	1534000I
12	1534060I
37	1539701
13	1834501
14	2034004
16	2034504
17	2034507
19	2034514
20	2034517
21	2034520
22	2034523
23	2034530
25	2034536
26	2034540
15	2034560
18	2034561
24	2034564
29	2039722
31	2039734
32	2039743
36/a	2039770
36/b	2039755
36/c	2039766

Spare Parts Mincer BM+42F (5,1 kW)

PART NUMBER	COD.
1	1010005
2	1010014
3	1010704
34	1034401
35	1013035
4	1039700
5	1041000
6	1041001
7	1134500
33	1134501
8	1234001
9	1434500
28	1510035
10	1510713
11	1534000I
12	1534060I
37	1539701
13	1834401
14	2034004
16	2034504
17	2034507
19	2034514
20	2034517
21	2034520
22	2034523
23	2034530
25	2034536
26	2034540
15	2034560
18	2034561
24	2034564
29	2039722
31	2039734
32	2039743
36/a	2039770
36/b	2039755
36/c	2039766

Electrical circuit diagram Mincer BM+42F (1pashe and 3phase)

