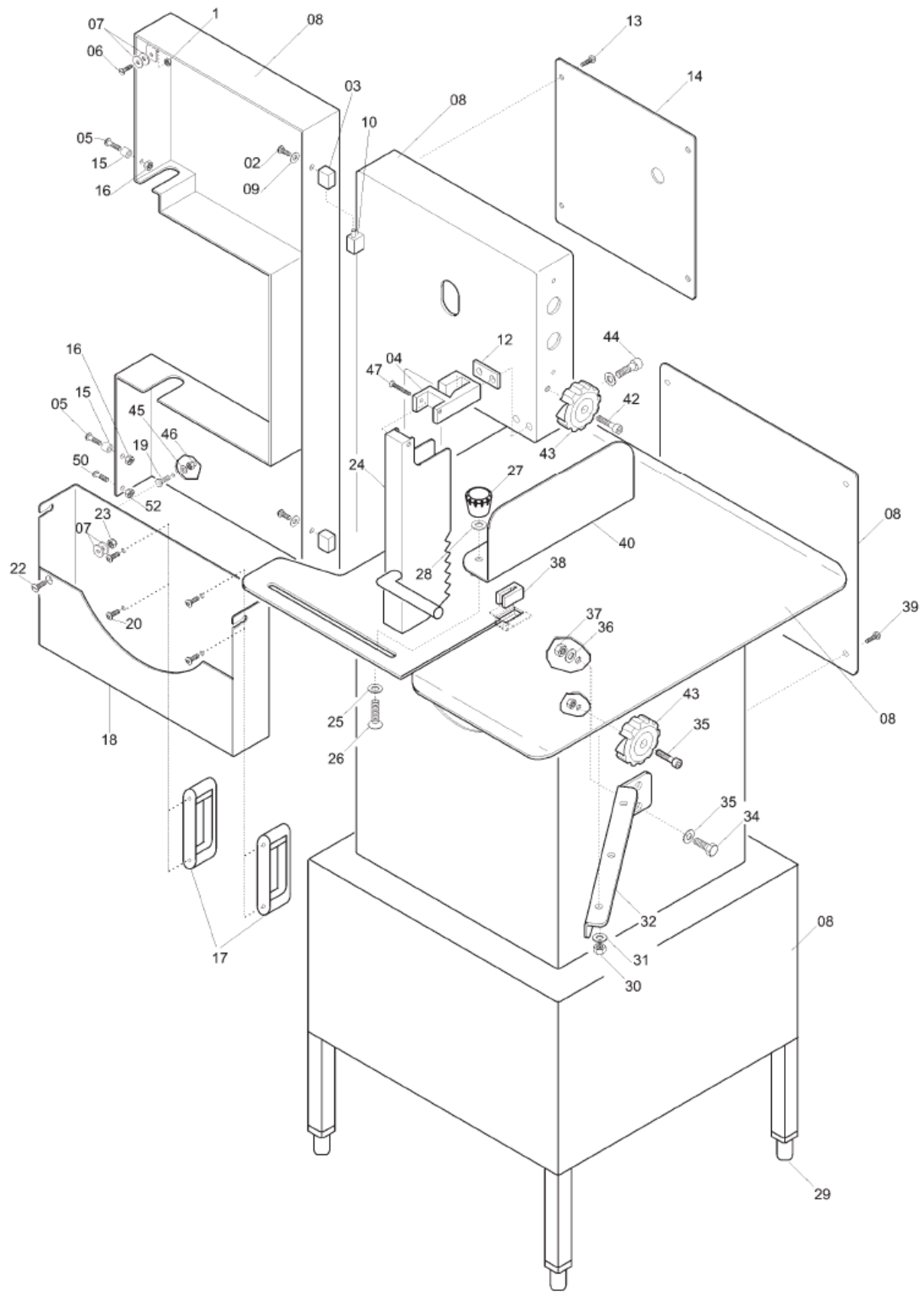


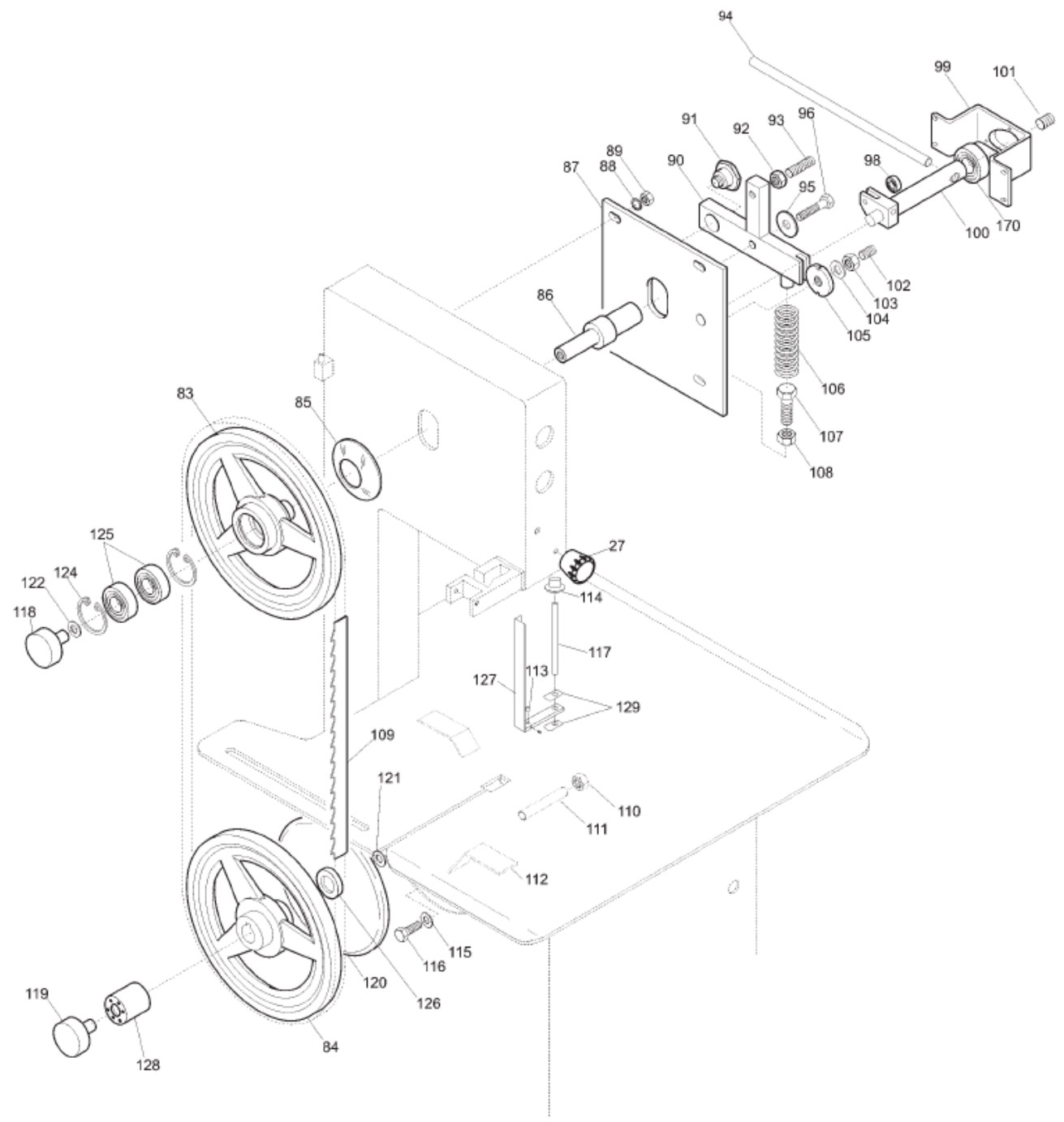
SERVICE MANUAL

BONE SAW PLUS RANGE BS+3100F TABLE TOP

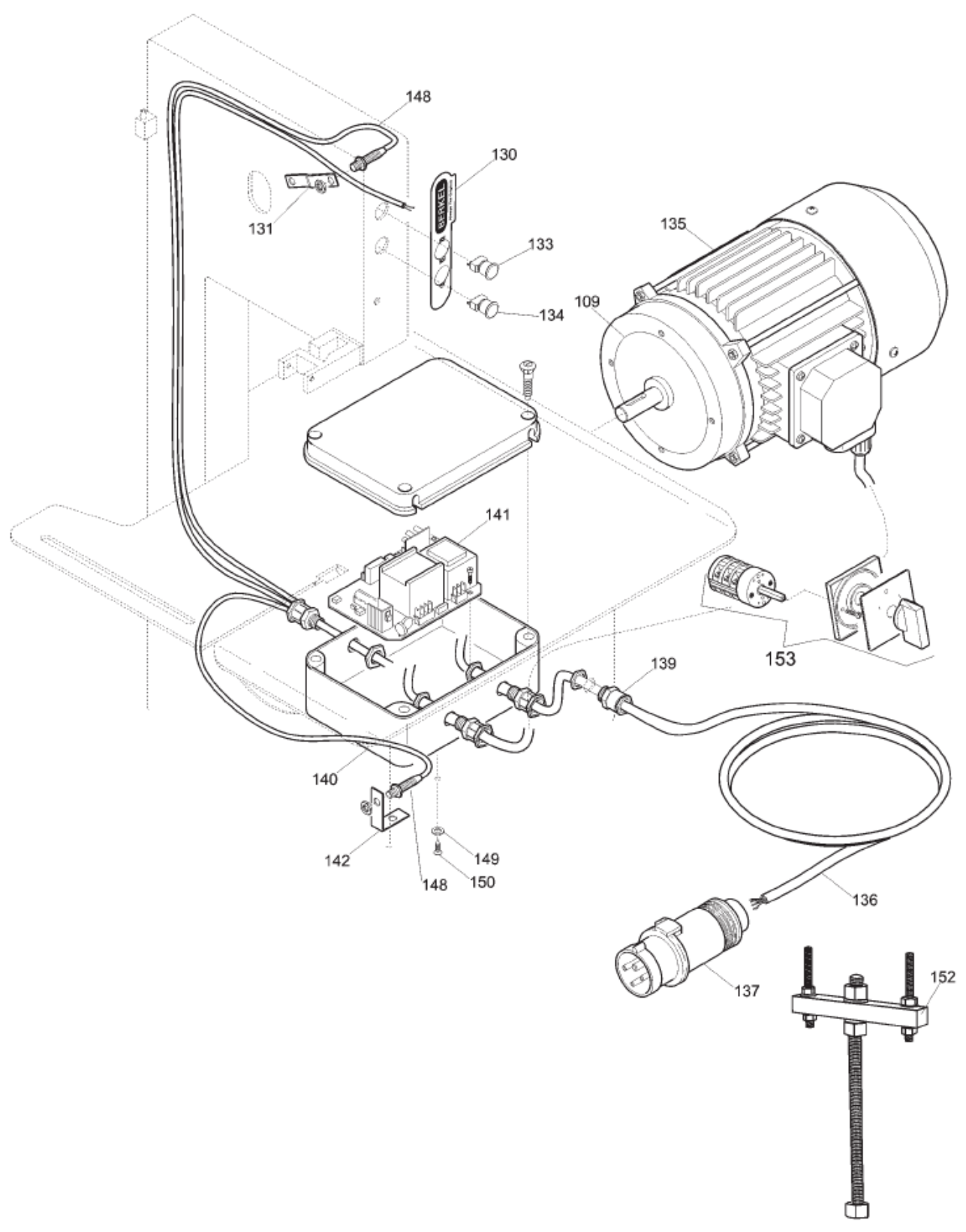
Exploded views and parts lists Bone Saw BS+3100F



RIF.	CODICE
17	B315GCE037A
27	B315VCE299A
07	BFE1033303
29	BB1410702
43	BFE1510713
03	BB2001004B
38	BB2001014
12	BB2001023
25	BB2001028
04	BB2005015
08	BB20090GR
40	BB2009001
24	BB2009002
18	BB2009003



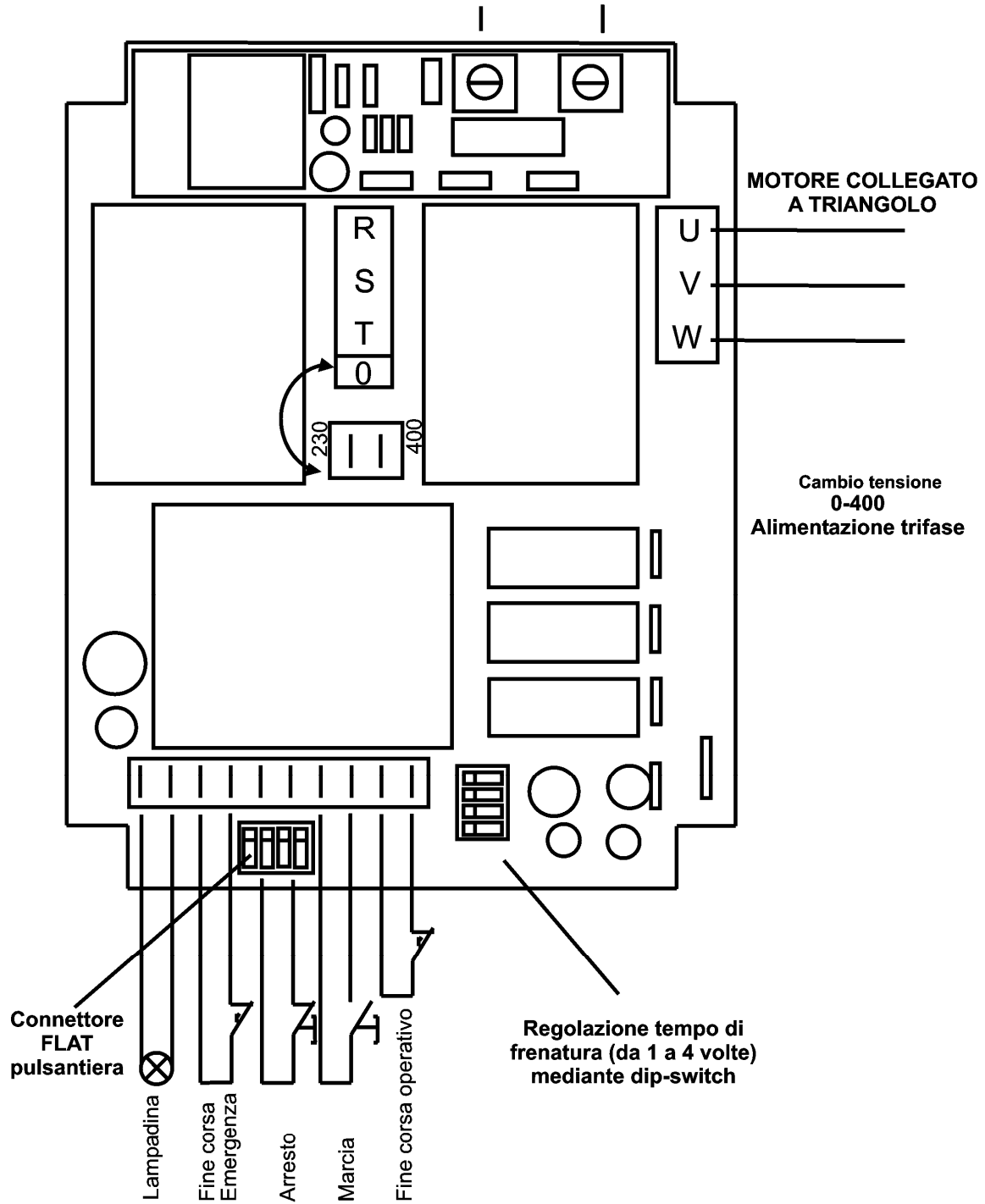
RIF.	CODICE
27	B315VCE299A
170	BB1109001
98	BB1109002
125	BB1134002
126	BB1210801
128	BB1509001
43	BFE1510713
111	BB2005015
112	BB2001031
118	BB2007010
119	BB2007011
129	BB2007016
122	BB2007041
99	BB2009004
127	BB2009005
117	BB2009006
83	BB2009007
84	BB2009008
105	BB2009009
94	BB2009010
100	BB2009011
90	BB2009012
87	BB2009013
106	BB2009014
86	BB2009015
107	BB2009016
114	BB2009023
91	BB2010078
85	BFE2010085
120	BB2010517



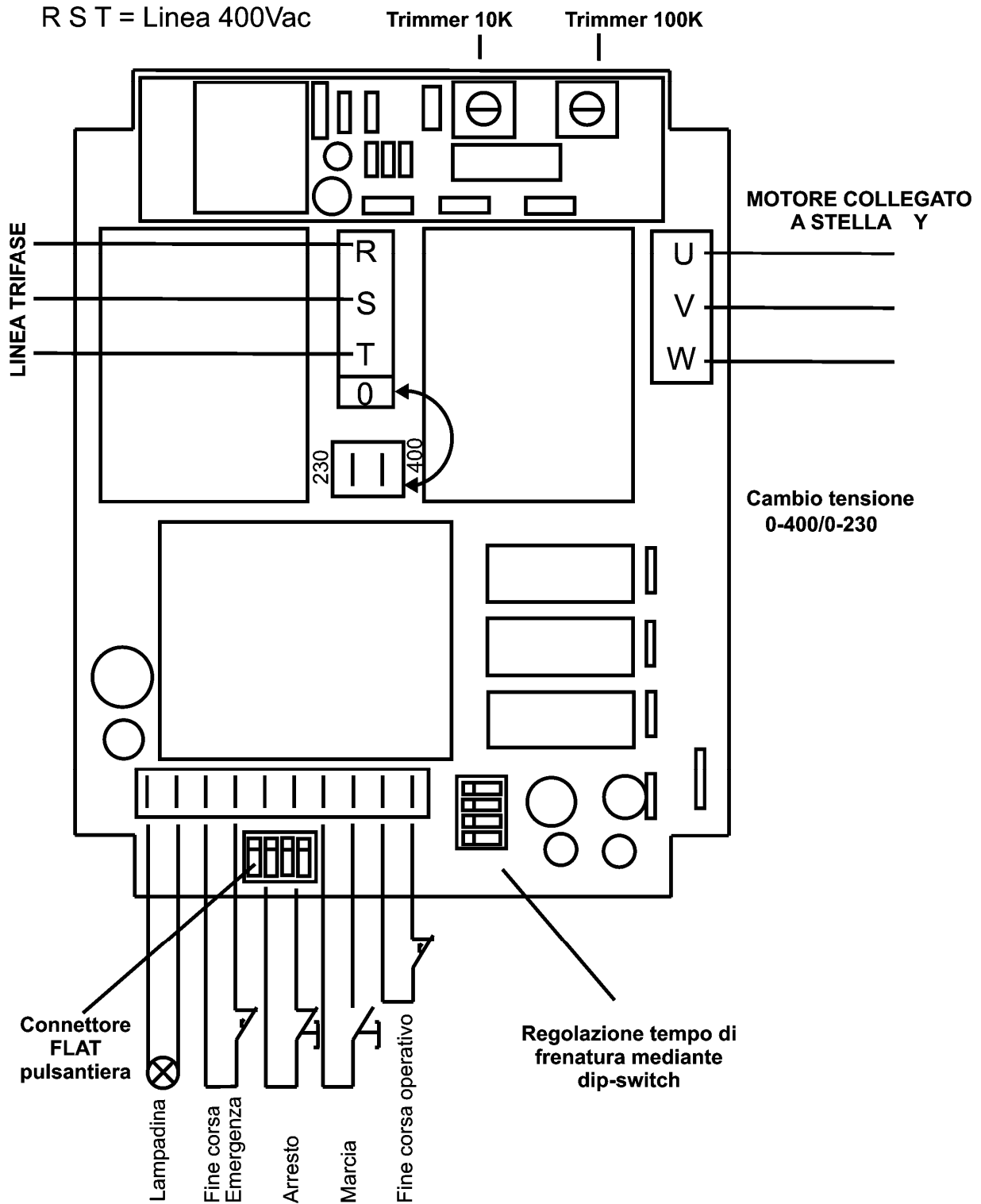
RIF.	CODICE
137	BFE1010014
141	BB1010035
140	BFE1010704
153	BB1010901
130	BB1013035
148	BFE1033302
133	BFE1041000
134	BFE1041001
135	BB1809003
142	BB2007019
131	BB2007020
152	BB2009019
109	BB2010734

Electrical Routing 3F 220V

R S T = Linea 220/400 Trifase



Electrical Routing 3F 400V



Electrical Routing 1F

R S = Linea 230-Vac

