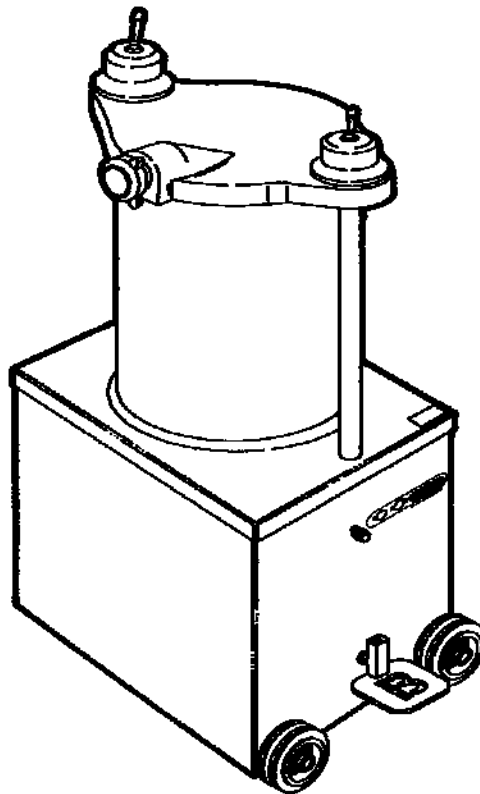
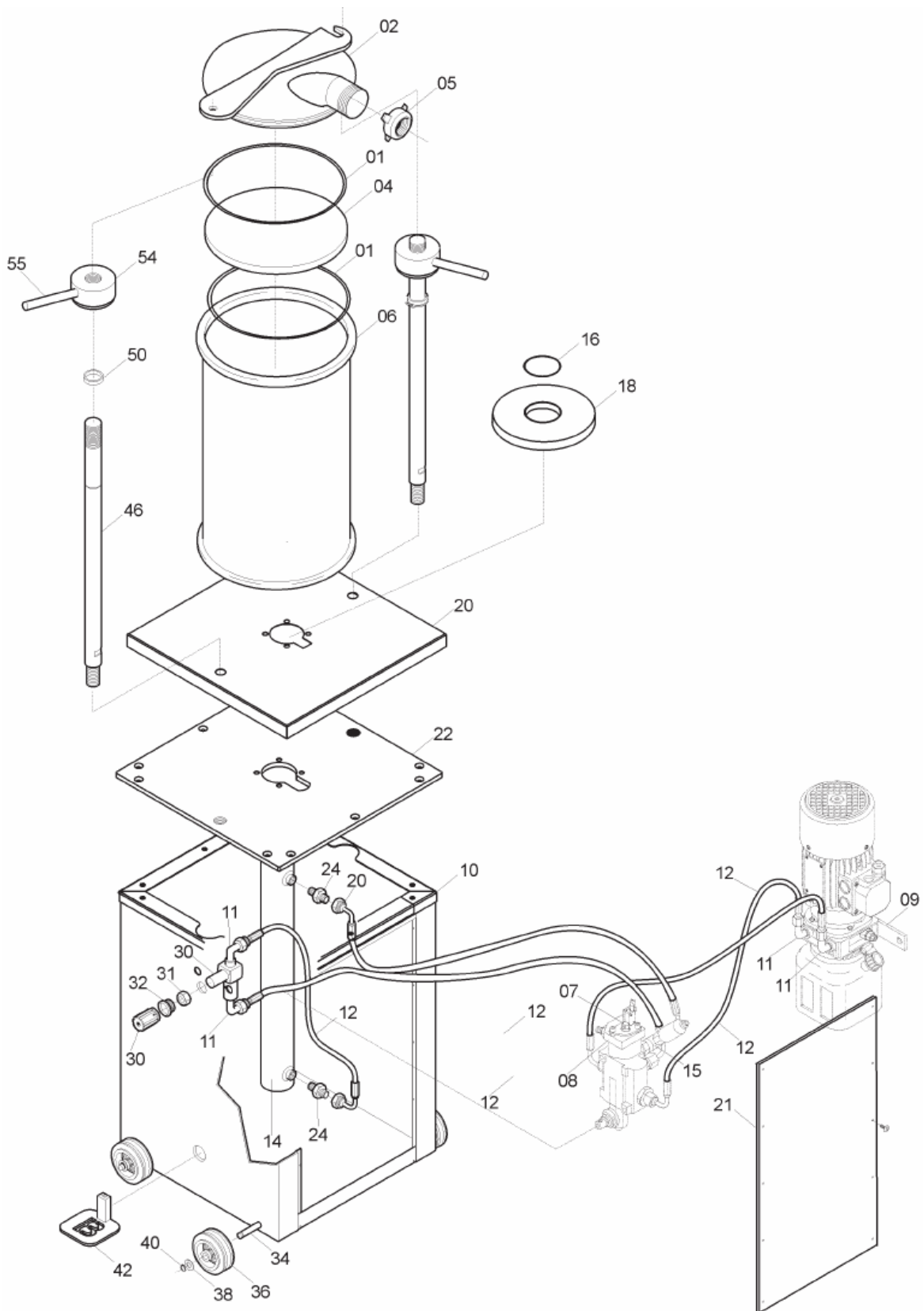


SERVICE MANUAL

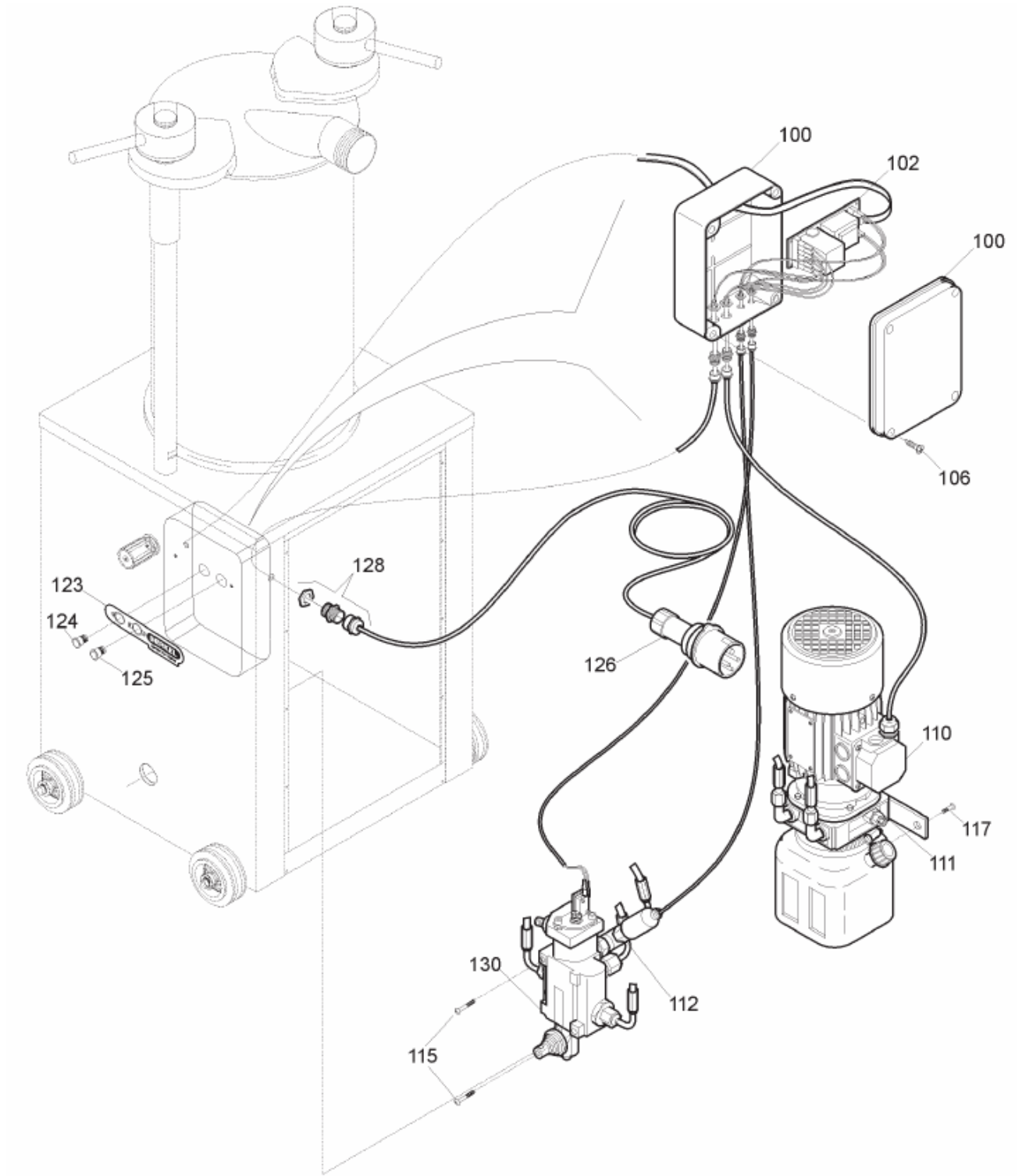
HYDRAULIC VERTICAL RANGE FILLER PLUS FLOOR STANDING BF + 15-25-35-50F



Exploded view Filler Plus BF + 15F 1/2



Exploded view Filler Plus BF + 15F 2/2

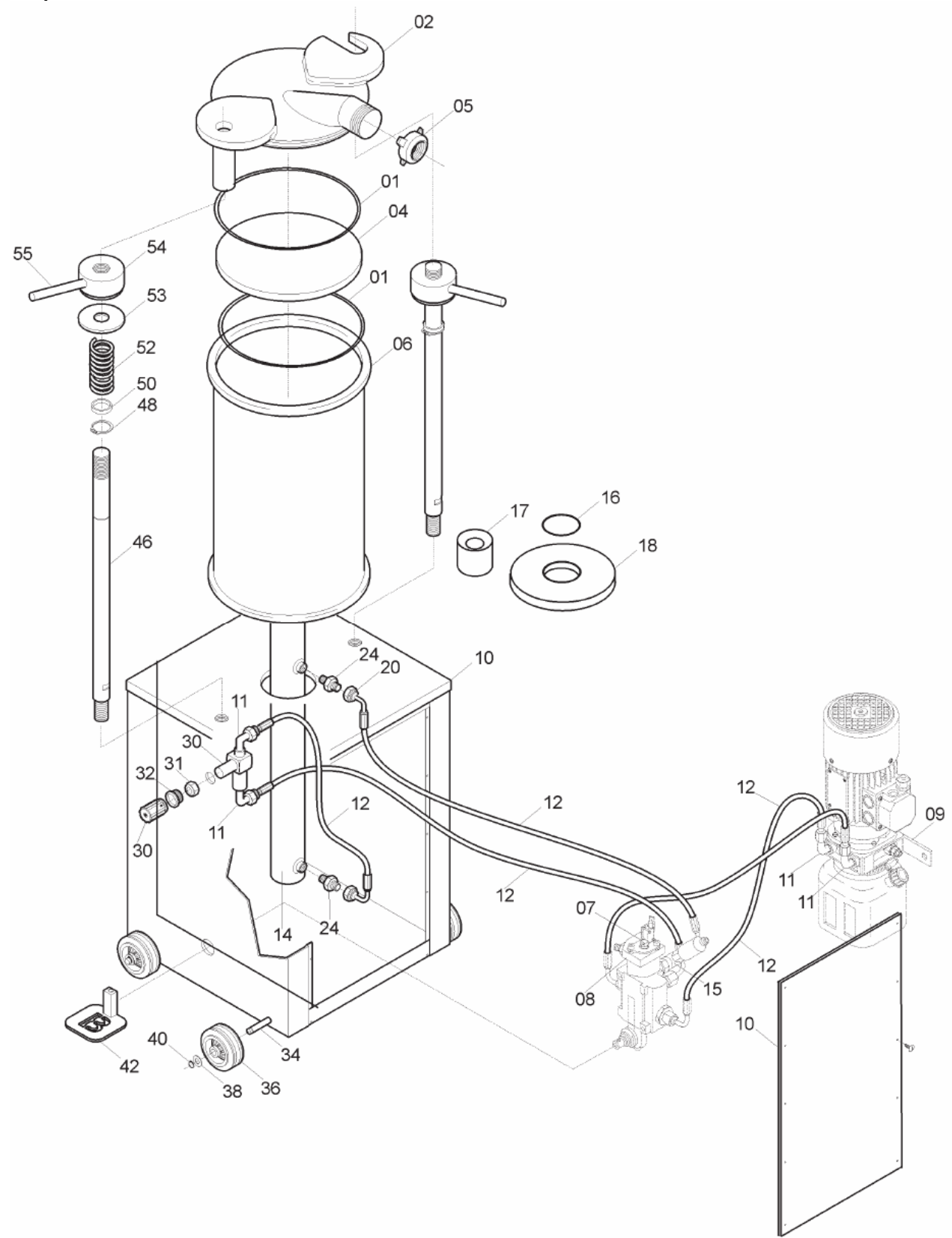


Spare Parts Filler Plus BF + 15F

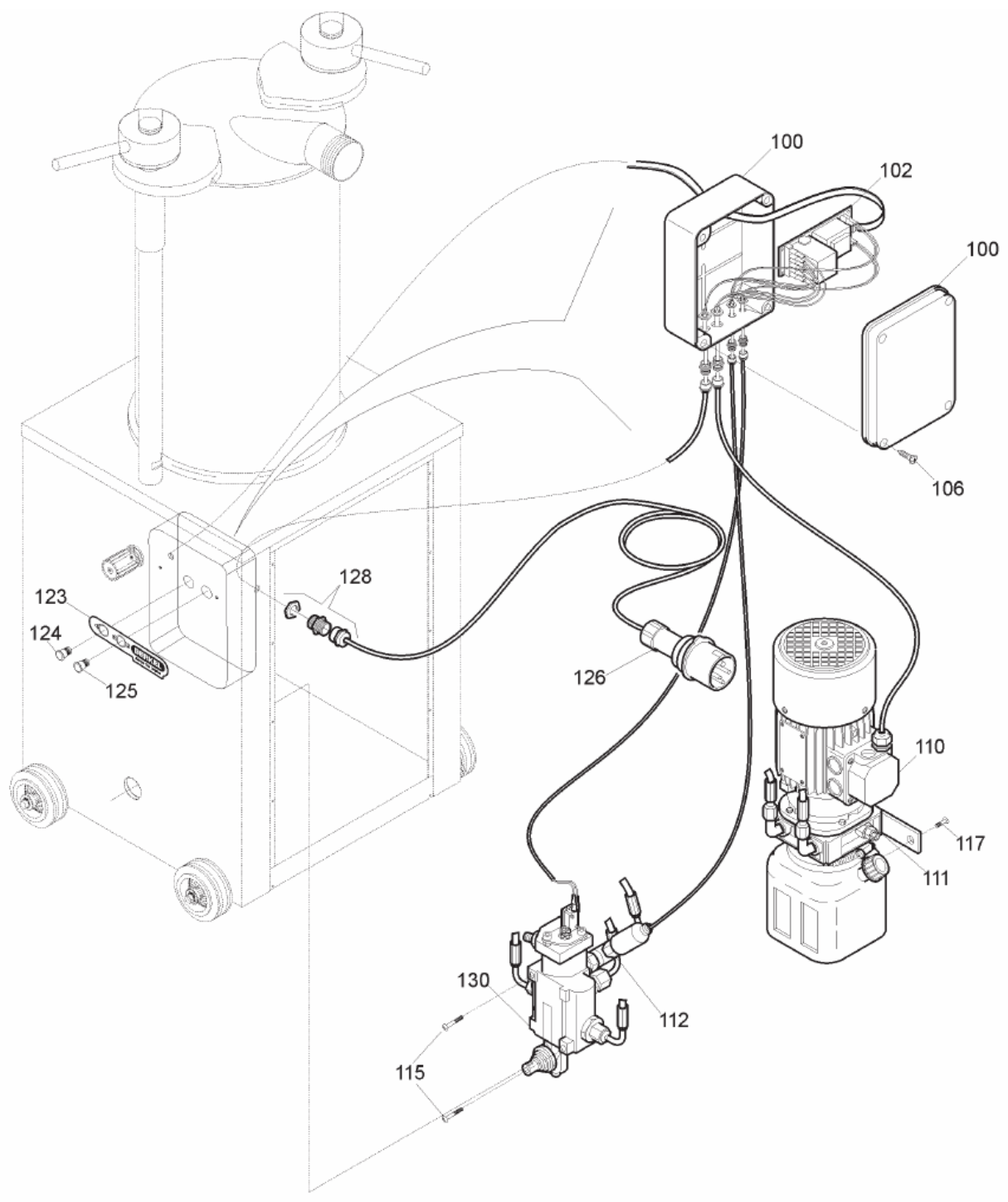
PART NUMBER 1/2	COD.
17	2012015
30	1013003
12	1013005
14	1012508
11	1013013
15	1013014
01	1211002
16	1212503
36	1513001
05	2011014
32	2013040
31	2013042
06	2012509
52	2012016
10	2012501
50	2012527
04	2012506
07	2013008
08	2013009
42	2013050
18	2012513
09	2013014
46	2012515
02	2012520
54	2012522
53	2013023
55	2013024
34	2012525
40	2012532
20	2012503
21	2012504
22	2012505

PART NUMBER 2/2	COD.
126 A	1010014
126 B	1010015
111	1013001
112	1013002
130	1013004
115	2013044
117	2013046
102	1013022
100	1041006
123	1013035
125	1041001
124	1041000
110 A	1813001
110 B	1813002

Exploded view Filler Plus BF+25F 1/2



Exploded view Filler Plus BF+25F 2/2

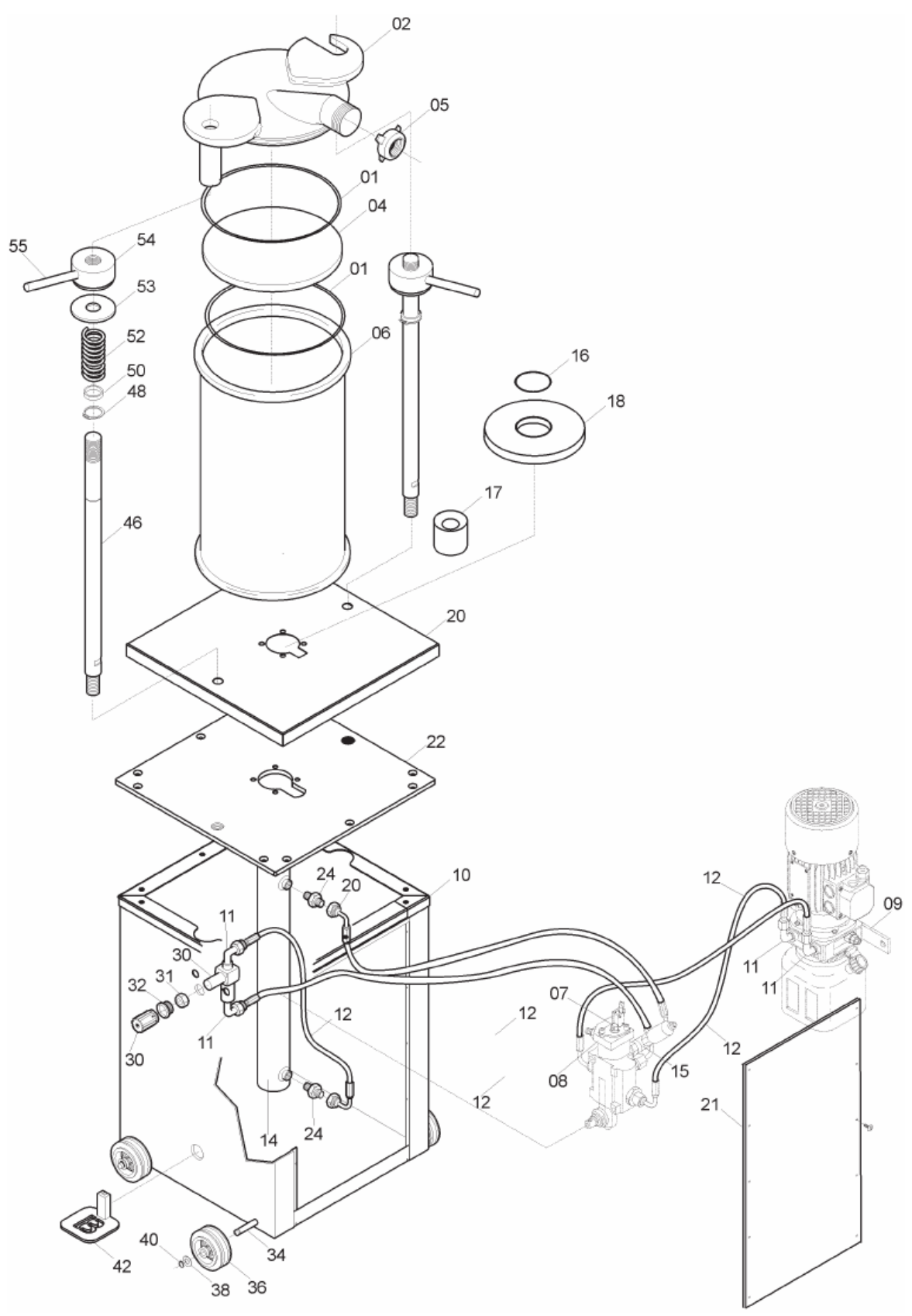


Spare Parts Filler Plus BF +25F

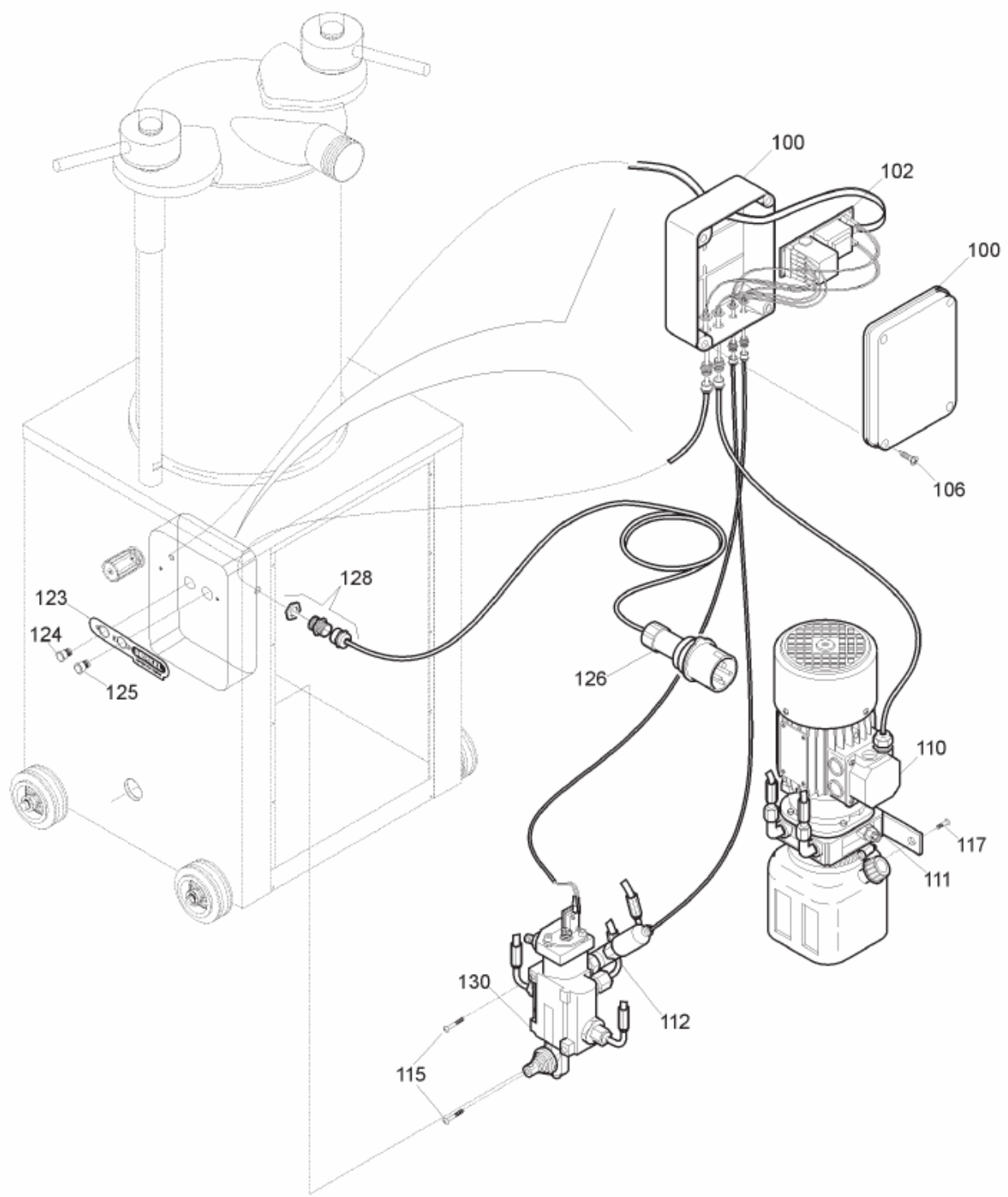
PART NUMBER 1/2	COD.
17	2012015
30	1013003
12	1013005
14	1013008
11	1013013
15	1013014
01	1211302
16	1213001
36	1513001
48	1513006
05	2011014
32	2013040
31	2013042
06	2012003
52	2012016
10	2013001
50	2013038
04	2013006
07	2013008
08	2013009
42	2013050
18	2013013
09	2013014
46	2013015
02	2013020
54	2013022
53	2013023
55	2013024
34	2013025
40	2013032

PART NUMBER 2/2	COD.
126 A	1010014
126 B	1010015
111	1013001
112	1013002
130	1013004
115	2013044
117	2013046
102	1013022
100	1041006
123	1013035
125	1041001
124	1041000
110 A	1813001
110 B	1813002

Exploded view Filler Plus BF + 35F 1/2



Exploded view Filler Plus BF + 35F 2/2

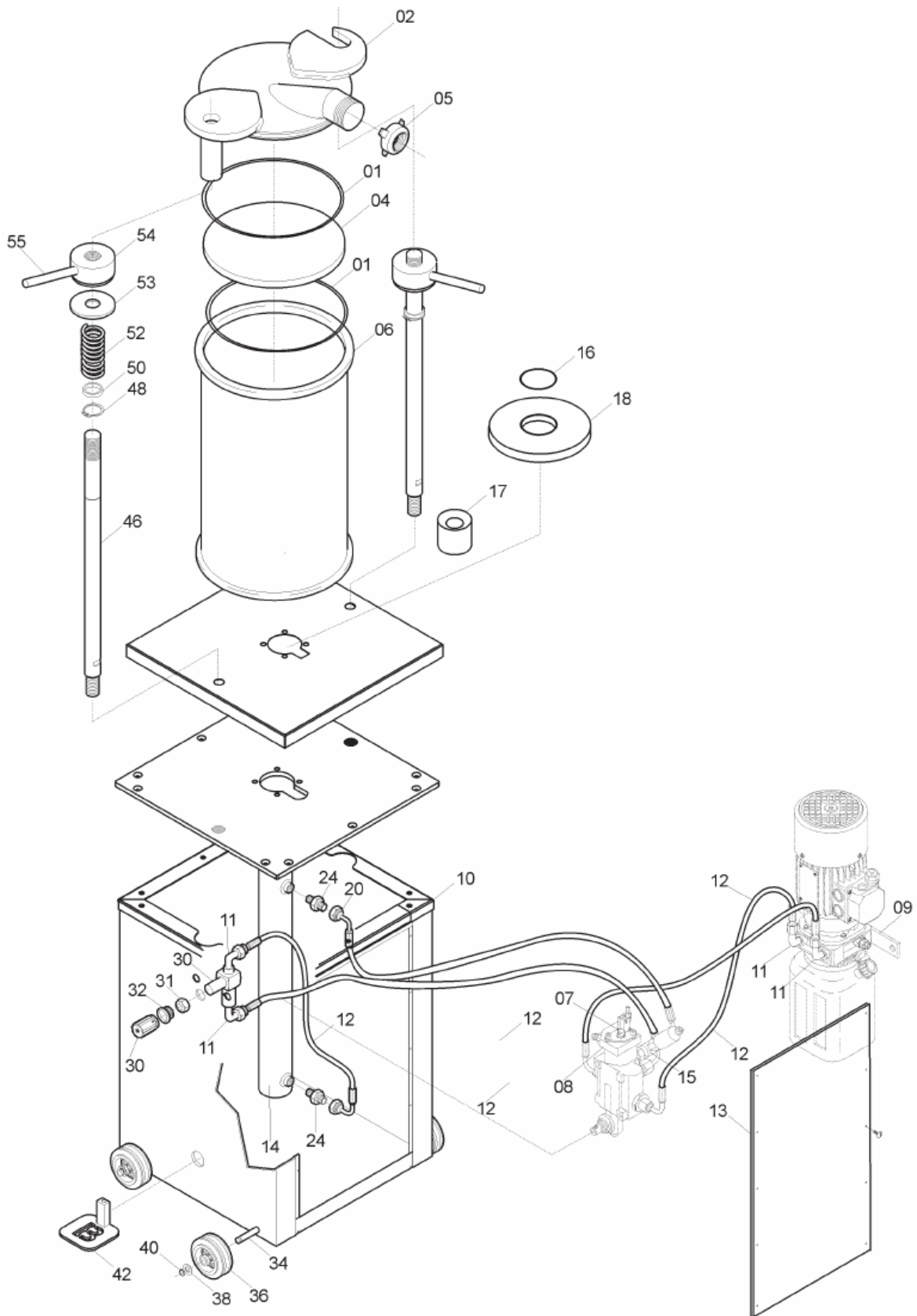


Spare Parts Filler Plus BF + 35F

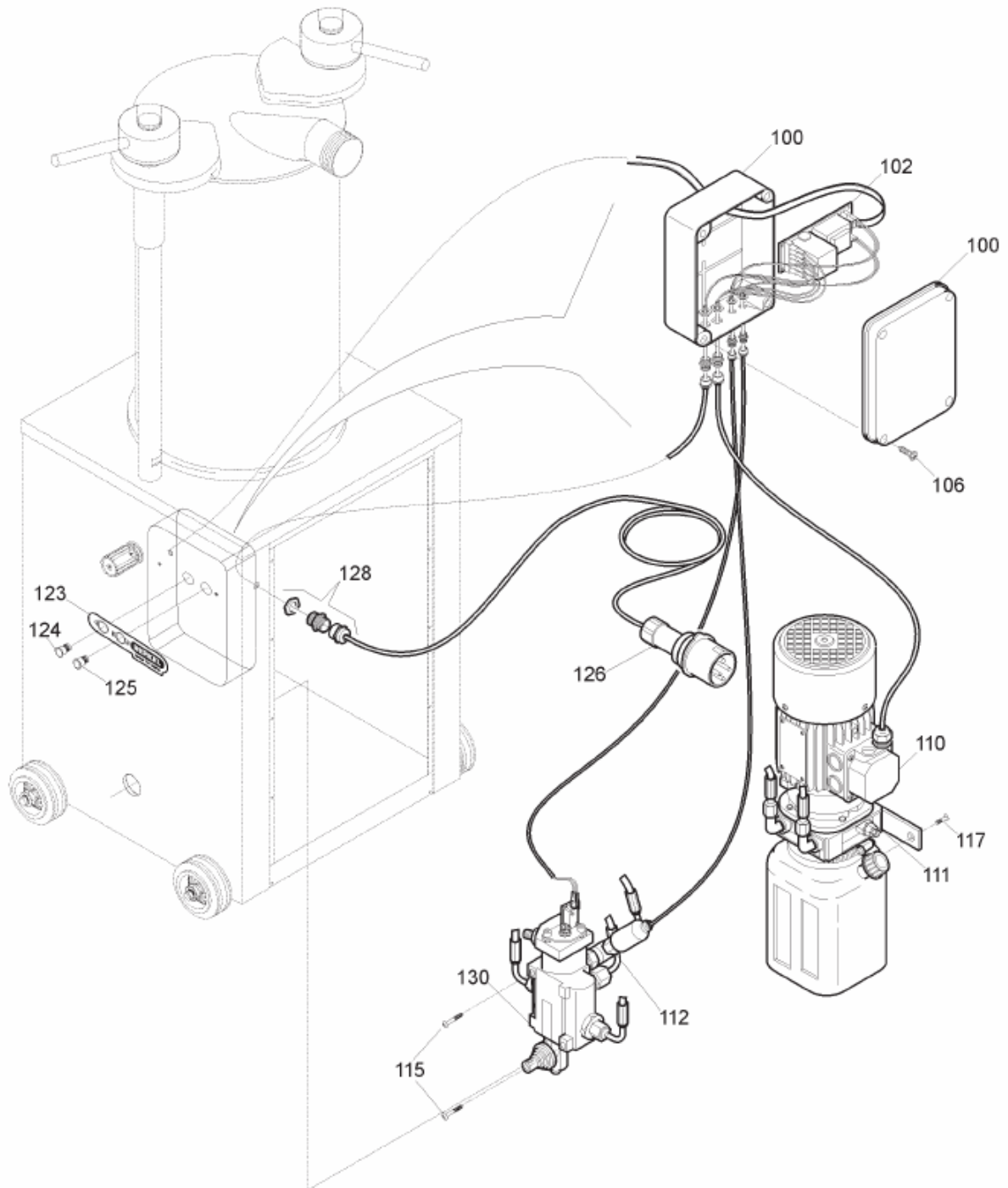
PART NUMBER 1/2	COD.
17	2012015
30	1013003
12	1013005
14	1013008
11	1013013
15	1013014
01	1211402
16	1213001
36	1513001
48	1513006
05	2011014
32	2013040
31	2013042
06	2012105
52	2012016
10	2013501
50	2013038
04	2013510
07	2013008
08	2013009
42	2013050
18	2013013
09	2013014
46	2013015
02	2013520
54	2013022
53	2013023
55	2013024
34	2013515
40	2013032
20	2013503
22	2013505
21	2013504

PART NUMBER 2/2	COD.
126 A	1010014
126 B	1010015
111	1013001
112	1013002
130	1013004
115	2013044
117	2013046
102 A	1013022
102 B	1013020
100	1041006
123	1013035
125	1041001
124	1041000
110 A	1813001
110 B	1813002

Exploded view Filler Plus BF+50F 1/2



Exploded view Filler Plus BF+50F 2/2

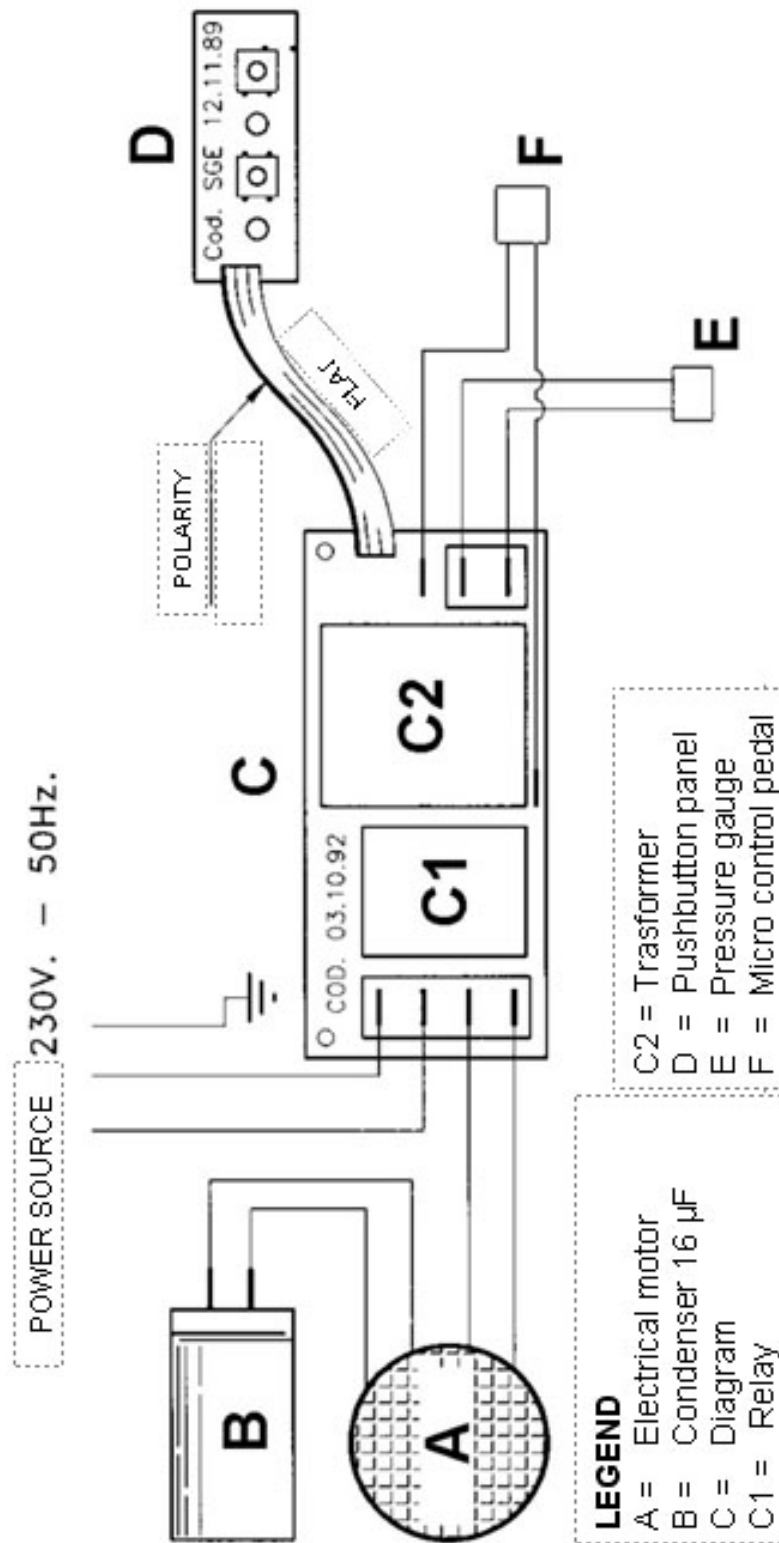


Spare Parts Filler Plus BF+50F

PART NUMBER 1/2	COD.
17	2012015
30	1013003
12	1013005
14	1014008
11	1013013
15	1013014
01	1211402
16	1239203
36	1513001
48	1513006
05	2011014
32	2013040
31	2013042
06	2012205
52	2012016
10	2014001
50	2013038
04	2014010
07	2013008
08	2013009
42	2013050
18	2014013
09	2013014
46	2014015
02	2014020
54	2013022
53	2013023
55	2013024
34	2013025
40	2013032
20	2014003
21	2014004
22	2014005

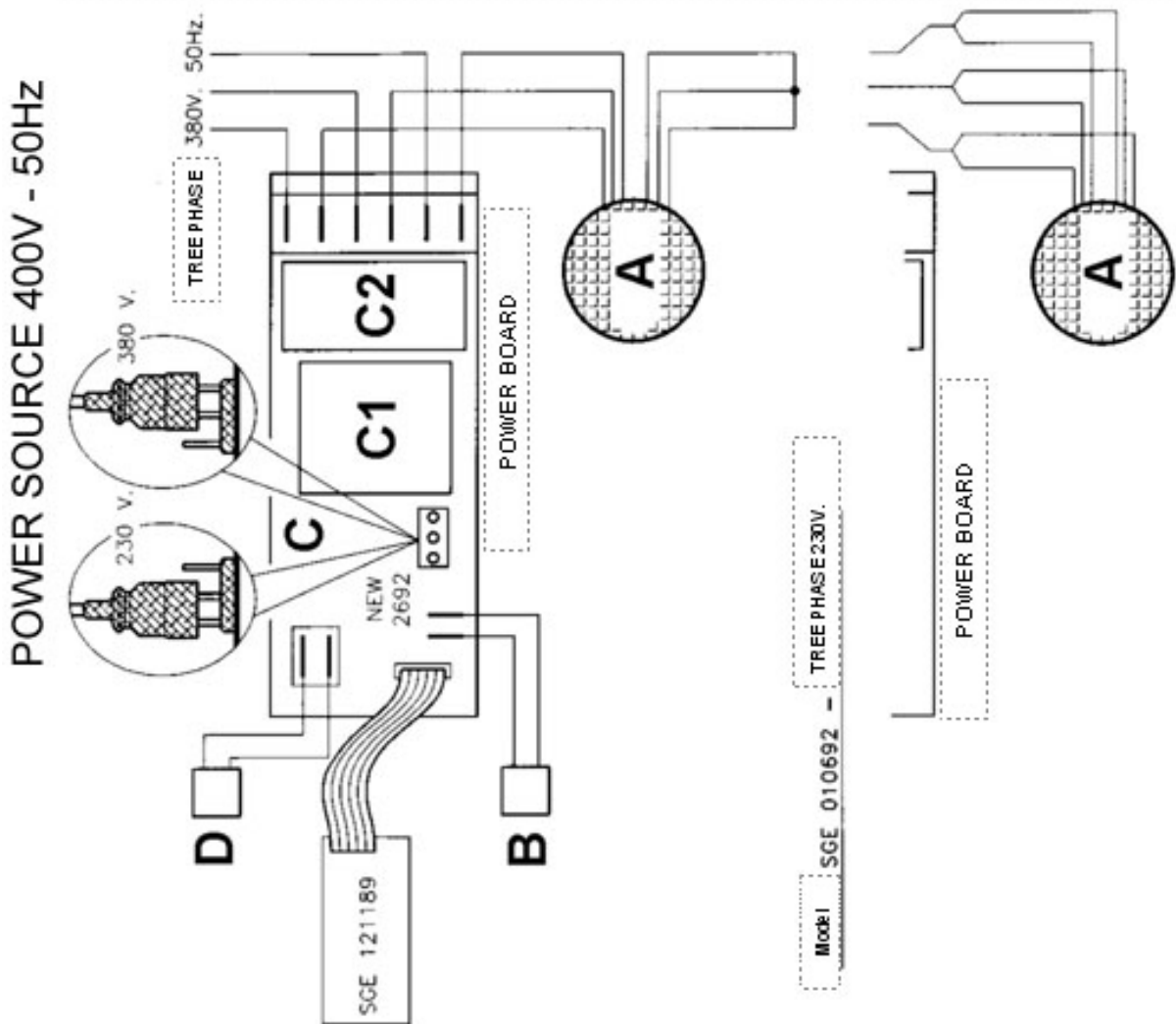
PART NUMBER 2/2	COD.
126 A	1010014
126 B	1010015
111	1014001
112	1013002
130	1013004
115	2013044
117	2013046
102	1013022
100	1041006
123	1013035
125	1041001
124	1041000
110 A	1813001
110 B	1813002

Electrical circuit diagram Filler Plus BF+ 15-25-35-50F (1pashe)



Electrical circuit diagram Filler Plus BF+15-25-35-50F (3pashe)

Observations of the noise emitted from the machine indicate that the equivalent noise level is lower than 70 dBA. The manufacturer can provide a copy of the noise level test upon request.



LEGENDA

- A = Electrical motor
- B = Micro control pedal
- C = Diagram
- C1 = Trasformer

- C2 = Relay
- D = Pressure
- E = Pedale