

# Electronic Shelf Label Series

---



---

## 4.2" Dot Matrix EPD Graphic Screen ESL

ZKC42B

PRODUCT DATASHEET

# PRODUCT FEATURES



Cloud-managed



EPD screen



Pricing in Seconds



5-year Battery



Strategic Pricing



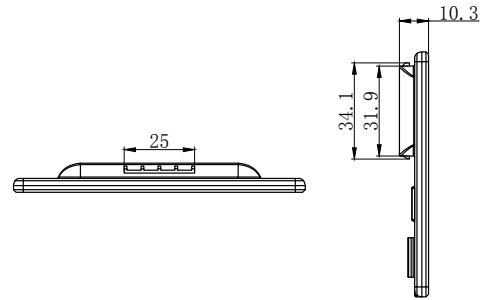
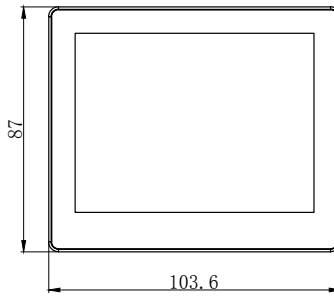
Bluetooth LE 5.0

# TECH SPECIFICATION

EXAMPLARY PICTURE



TECHNICAL DRAWINGS (mm)



## Display Features

<b>Display Technology</b>	EPD
<b>Active Display Area(mm)</b>	84.8×63.6
<b>Resolution (Pixels)</b>	400X300
<b>Pixel Density ( DPI )</b>	119
<b>Pixel Colors</b>	ZKC42B:Black White Red
<b>Viewing Angle</b>	Nearly 180°
<b>Usable Pages</b>	6

## Wireless

<b>Operating Frequency</b>	2.4-2.485GHz
<b>Standard</b>	BLE 5.0
<b>Encryption</b>	128-bit AES
<b>OTA</b>	YES

## Battery

<b>Battery</b>	2 X CR2450
<b>Battery Life</b>	5 years (4 updates/day)
<b>Battery Capacity</b>	1200mAh

## Physical Features

<b>LED</b>	1xRGB
<b>NFC</b>	ZKC42B-N Yes ZKC42B No
<b>Operating Temperature</b>	0~40°C
<b>Dimensions</b>	103.6*87*10.3mm
<b>Packaging Unit</b>	200 Labels/box

## Compliance

<b>Certification</b>	CE,ROHS,FCC
----------------------	-------------