

X Pro 100

Avery Berkel

Leading Edge Technology for Evolving Retail Needs

One Solution

Hardware and Software – Designed and built by Avery Berkel

HD touchscreen available in a range of sizes with flexible and optimised UI

Quad-core performance with expandable storage and memory options

Ultra-fast connectivity with Gigabit Ethernet and optional WiFi 6



Labelling



Self Service

MXi-Pro
Compatible



Production Mode*



ESL Integration*



Web Order Fulfilment*



Impact resistant and anti-glare PCAP touchscreen for exceptional durability and clarity



Next generation user interface with industry-leading intuitive design, enhancing productivity and efficiency



Expansive storage for all your HD media, simply switch between product info, promos, or customer messages



UPC, EAN-13, EAN-128, QR codes, DataMatrix, and GS1 DataBar formats, to cover all retail barcode needs



Versatile 2-in-1 printer elevates your brand through logos, graphics, and custom fonts to both promote and inform



Innovative cloud software ecosystem, enhanced with remote connectivity for seamless, efficient system control



Certified 80 Plus energy rating delivers efficient power usage, reducing energy and operational costs

X Pro 100

Avery Berkel

Leading Edge Technology for Evolving Retail Needs

Configurable Options

Capacitive Touchscreen	13.3 inch 11.6 inch 10.1 inch
Rear Display	7 inch No display
Weighing Capacity	30kg x 5g 15kg AVR 6kg AVR 6kg x 1g
ValuMax	ValuMax No ValuMax
Storage	120GB 16GB
Memory	8GB 2GB
WiFi	WiFi 6 No WiFi
2-in-1 printer	Label, receipt 70mm wide 150mm/sec Standard cassette
Linerless	Linerless tear option

Specifications

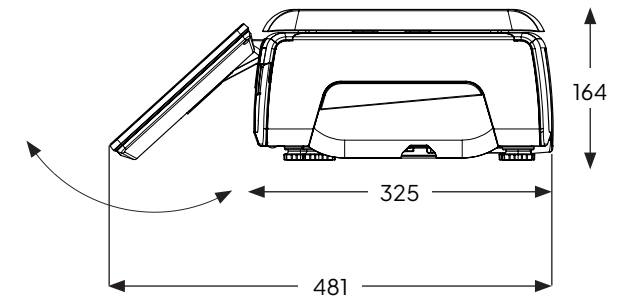
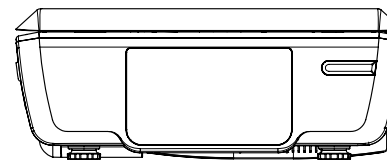
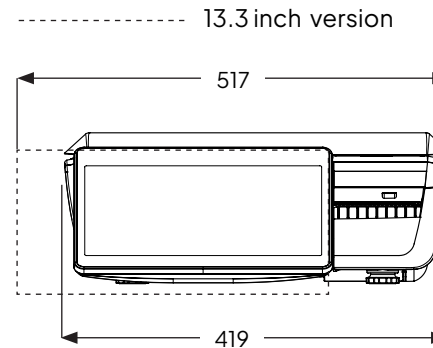
Processor	Quad-core
Networking	Gigabit Ethernet
Connectivity	4x USB 2
Multimedia	Audio, video, images
Power	100–240 Volt AC 50/60Hz
Operating Environment	-10°C to +40°C 10 to 85% relative humidity
Approvals	UK, EU and OIML

Software

OS	Linux
Compatibility	Communicates with XT scale networks

Shipping Specification

Net Weight	11.0kg
Gross Weight	12.4kg
Box Dimensions	575mm W x 545mm D x 295mm H



11.6 inch touchscreen option depicted. All measurements in millimetres.